



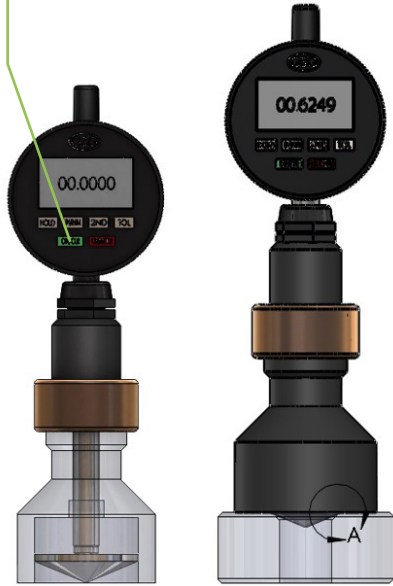
Chamfer Gages

www.gsgage.com

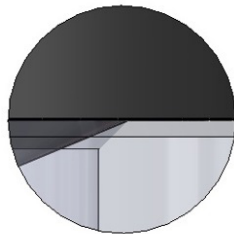


62/322,439

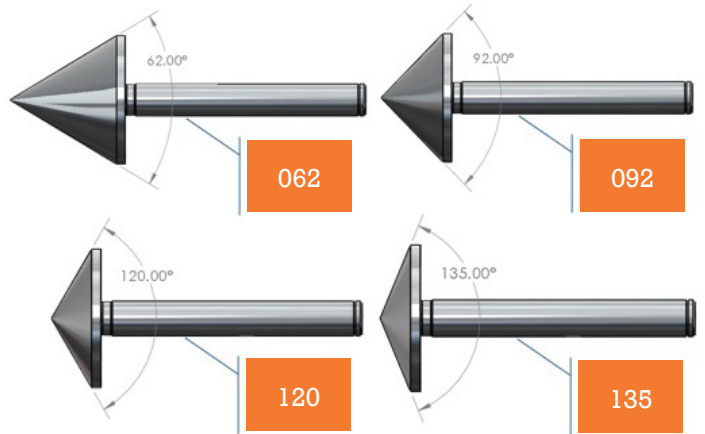
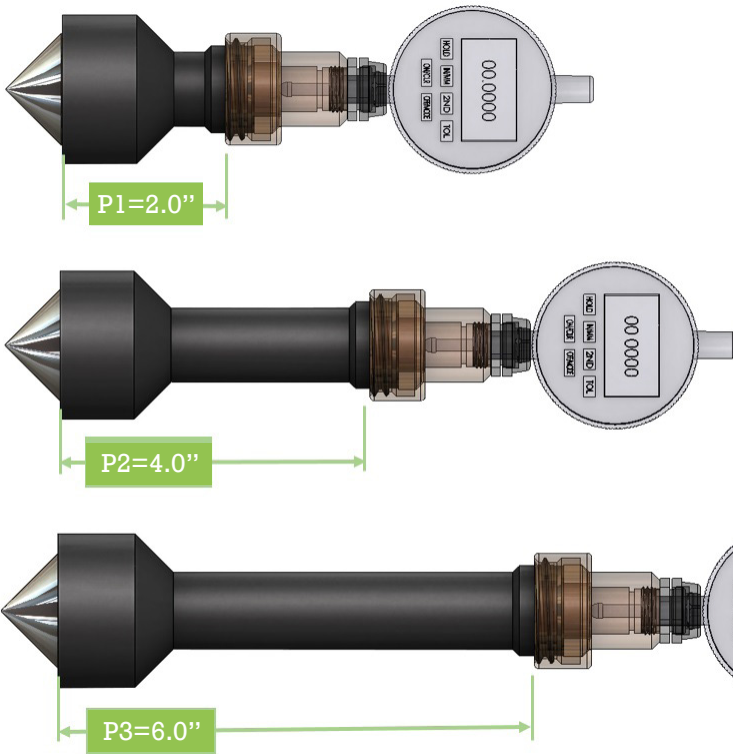
Place gage anvil on flat surface & press "ON/CLR" button.



- Ready: Place gage firmly on a flat surface
- Set: Press "ON/CLR"
- Go: Place gage in hole feature (Large end size displays on screen)



DETAIL A SCALE 2:1



Custom Angles Available



Upper Body Assembly



Fits "all" anvil attachments

Includes:

- 1 - GSG Indicator
- 1 - Collet Assy
- 1 - Attachment Housing
- 1 - Thumb Ring

\$645.⁰⁰ each
#GSG150CGB

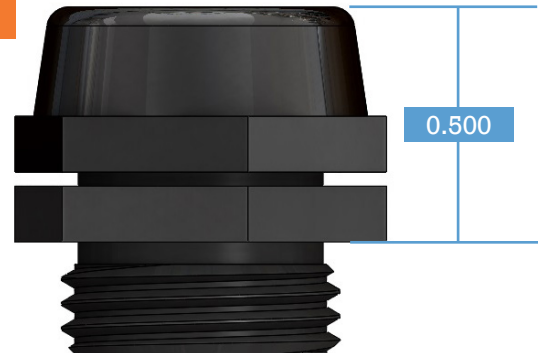
GSG Digital Chamfer (P/N Q3110-GSG) Indicator features:

- Hard programmed ratio measuring mode
- SPC cable USB, MTI, RS232
- Travel reverse
- Auto off
- Rotating Bezel
- Internal & external serial numbers
- T.I.R measuring with low & high storage recall
- Power with batteries
- Additional power options through AC jack or data output
- User tolerance settings (high & low)
- Up to 4 user changeable resolutions
- Inch/metric display conversion
- Large LCD display
- Maximum reading hold
- Display/freeze reading hold
- Minimum reading hold
- Extra large number display

GSG "Low Profile" Stem Collet

Accepts 0.375 indicator stems

Lowest profile on the market



\$25.⁰⁰ each
#CH375

We Calibrate Our Chamfer Gages

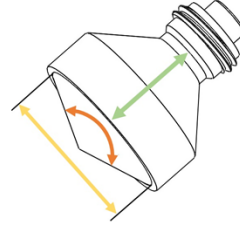
Send gages for periodic calibration to ensure accuracy. Call 1-860-537-7340 or email sales@gg.gsgage.com for information.



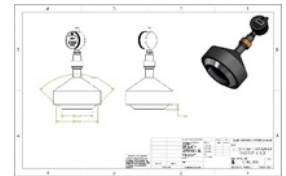
Individual Anvils & Masters

Individual Anvil Part Numbers

CG	092	D375	P1
Gage Code	Included Angle	Large End Diameter of Anvil	Length Code



Item #	Angle (included)	Large End Diameter	(*) Anvil Length Code "P1"	(*) Anvil Length Code "P2"	(*) Anvil Length Code "P3"
CG062D0375 (*)	62° Anvil	0.3750	\$195.00	\$310.00	\$395.00
CG062D0500 (*)	62° Anvil	0.5000	\$260.00	\$370.00	\$440.00
CG062D0750 (*)	62° Anvil	0.7500	\$300.00	\$390.00	\$490.00
CG092D0375 (*)	92° Anvil	0.3750	\$205.00	\$315.00	\$405.00
CG092D0500 (*)	92° Anvil	0.5000	\$270.00	\$380.00	\$455.00
CG092D0750 (*)	92° Anvil	0.7500	\$310.00	\$395.00	\$595.00
CG092D1250 (*)	92° Anvil	1.2500	\$330.00	\$430.00	\$615.00
CG092D1500 (*)	92° Anvil	1.5000	\$350.00	\$505.00	\$635.00
CG120D0750 (*)	120° Anvil	0.7500	\$310.00	\$395.00	\$420.00
CG120D1500 (*)	120° Anvil	1.5000	\$345.00	\$510.00	\$540.00
CG120D2500 (*)	120° Anvil	2.5000	\$475.00	\$575.00	\$660.00
CG120D3250 (*)	120° Anvil	3.2500	\$565.00	\$865.00	\$795.00
CG135D0750 (*)	135° Anvil	0.7500	\$310.00	\$410.00	\$440.00
CG135D1500 (*)	135° Anvil	1.5000	\$355.00	\$520.00	\$590.00
CG135D2500 (*)	135° Anvil	2.5000	\$485.00	\$606.00	\$675.00
CG135D3500 (*)	135° Anvil	3.5000	\$595.00	\$675.00	\$815.00



Custom sizes available

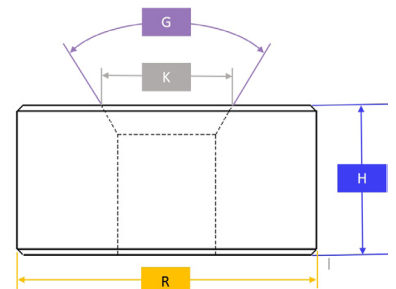
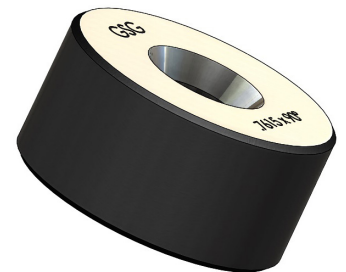
- Calibration included
- 5% discount on 5 or more
- Call factory for custom lengths up to 12"

Chamfer Ring Masters

Class "X" Tolerance

- Calibration included
- Call factory for custom sizes

Item #	G	K	H	R	Thru Hole Size	A2 Steel Re58-62	Carbide with Steel Jacket
TPG90K250	90° Included	0.250	0.500	1.750	0.125	\$159.00	\$236.00
TPG90K500	90° Included	0.500	0.500	1.750	0.250	\$160.00	\$242.00
TPG90K750	90° Included	0.750	0.750	2.000	0.500	\$162.00	\$273.00
TPG90K100	90° Included	1.000	1.000	2.500	0.750	\$165.00	\$356.00
TPG90K125	90° Included	1.000	1.000	2.500	1.000	\$180.00	\$394.00
TPG90K150	90° Included	1.500	1.500	3.000	1.250	\$195.00	\$423.00
TPG90K175	90° Included	1.500	1.500	3.500	1.500	\$230.00	\$518.00
TPG90K200	90° Included	1.750	1.750	3.500	1.750	\$265.00	\$597.00

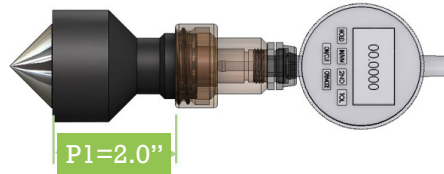


We can design to check unique part features



3 Piece Chamfer Gage Sets

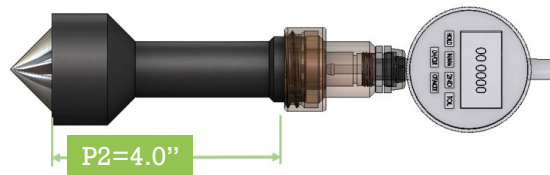
P1 - Length 2"



Each set includes:
1 - GSG Indicator Body
& the anvils shown in
the chart

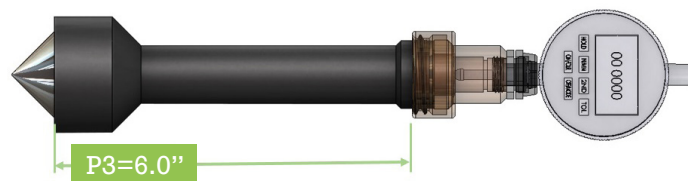
Item #	Angle (included)	0.375		0.500		0.750		1.500		2.500		Price
		Dia.	Anvil	Dia.	Anvil	Dia.	Anvil	Dia.	Anvil	Dia.	Anvil	
CG062P1	62° Anvil	✓		✓		✓						\$1,250.00
CG092P1	92° Anvil	✓		✓		✓						\$1,280.00
CG120P1	120° Anvil					✓		✓		✓		\$1,627.00
CG135P1	135° Anvil					✓		✓		✓		\$1,652.00

P2 - Length 4"



Item #	Angle (included)	0.375		0.500		0.750		1.500		2.500		Price
		Dia.	Anvil	Dia.	Anvil	Dia.	Anvil	Dia.	Anvil	Dia.	Anvil	
CG062P2	62° Anvil	✓		✓		✓						\$1,567.00
CG092P2	92° Anvil	✓		✓		✓						\$1,587.00
CG120P2	120° Anvil					✓		✓		✓		\$1,972.00
CG135P2	135° Anvil					✓		✓		✓		\$2,027.00

P3 - Length 6"



Item #	Angle (included)	0.375		0.500		0.750		1.500		2.500		Price
		Dia.	Anvil	Dia.	Anvil	Dia.	Anvil	Dia.	Anvil	Dia.	Anvil	
CG062P3	62° Anvil	✓		✓		✓						\$1,822.00
CG092P3	92° Anvil	✓		✓		✓						\$1,952.00
CG120P3	120° Anvil					✓		✓		✓		\$2,117.00
CG135P3	135° Anvil					✓		✓		✓		\$2,202.00

Chamfer Gage Cases by Pelican™

- Available for any size set
- Custom sizes also available



\$199.⁰⁰ each

Sold Through Authorized GSG Distributors